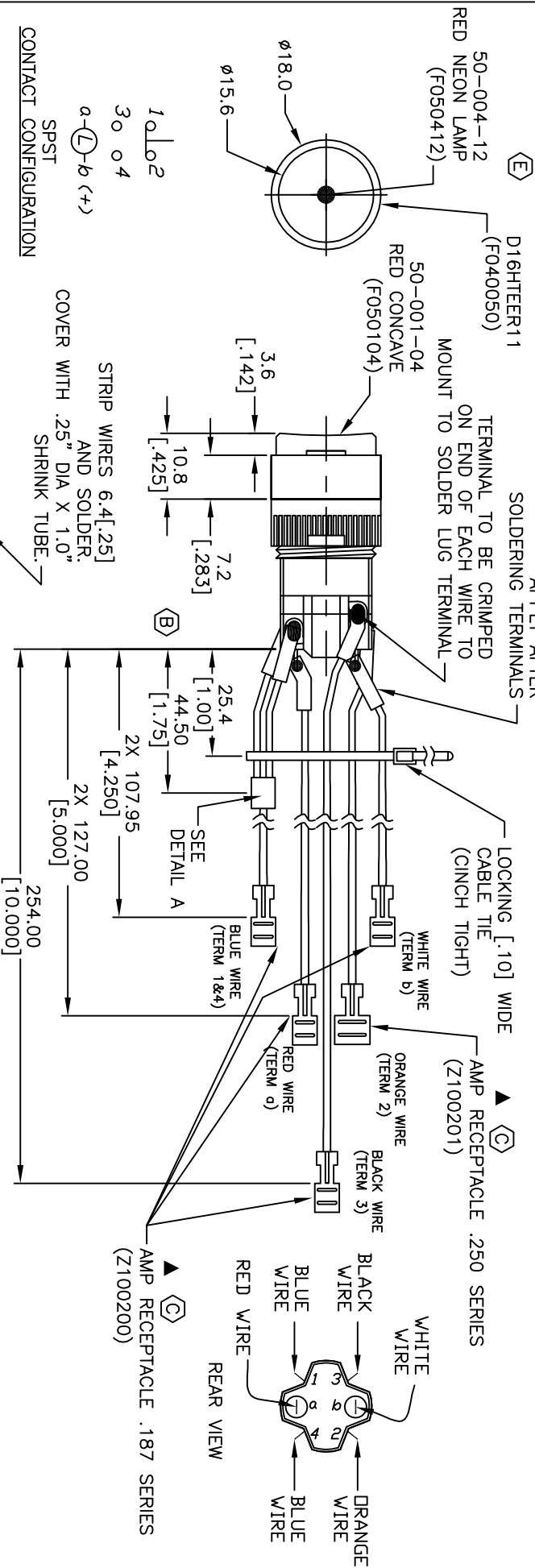
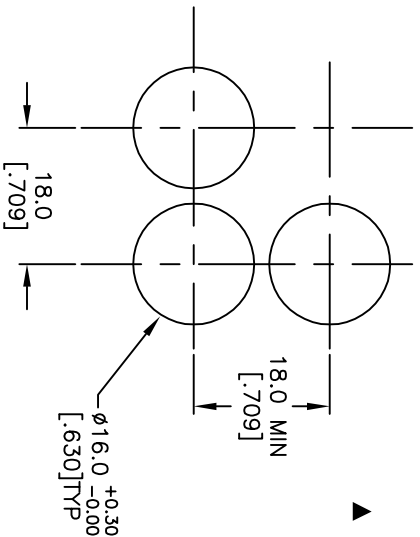


HEAT SHRINK TUBING,
HS POLYOFIN BLACK,
APPLY AFTER
SOLDERING TERMINALS



**ALL 18 AWG Cut to following lengths

	PIN POSITION	LENGTH [INCH]±5MM
BLK	3	254.0mm [10.00]
ORG	2	127.0mm [5.00]
RED	a	127.0mm [5.00]
WHT	b	107.95mm [4.25]
BLU	1&4 CONNECTION	107.95mm [4.25]
BLU	1	44.45mm [1.75]
BLU	4	44.45mm [1.75]



NOTES:

1. ALL DIMENSIONS IN MM [INCH] UNLESS OTHER WISE SPECIFIED
2. GENERAL TOLERANCE: X.X=±0.4 X.XX=±0.25
3. TERM. NOS. FOR REFERENCE ONLY.
4. RATING: 5A@250V AC / 8A@125V AC
5. MECHANICAL LIFETIME: > 2 MILLION OPERATIONS
6. TRAVEL: 3.0MM
7. CONTACT MATERIAL: COPPER ALLOY W/SILVER PLATING
8. BODY MATERIAL: ALL PLASTIC (HIGHTEMP) IS RATED UL 95°C
9. LAMP VOLTAGE: 110V AC (RED NEON)
10. ▲ DENOTES CRITICAL PARAMETER.
- ▲11. WIRE TO BE 18AWG, UL1007 300V, 80C COLORS AS LISTED ABOVE.

REV.	ECN No.	DESCRIPTION	DATE	CHKD
E	14683	ADD PART NUMBERS	2/9/05	AR
D	14340	WIRE LENGTH IN TABLE	9/22/04	AR
C	13522	ADD PART # FOR RECEPTACLES	10/10/03	AR
B	13516	44.50 WAS 19.05, ADD DETAIL A	10/8/03	AR
A	13471	RELEASED FOR PRODUCTION	9/18/03	AR

SCALE	DATE	DR	DWG	REV
1.5:1	9/5/03	AR	F040053	E

E-SWITCH

D16 HT EE R11 F RED RED 95C
With 6 INTO 5 WIRES

THE INFORMATION CONTAINED IN THIS DOCUMENT IS PROPRIETARY TO E-SWITCH AND IS NOT TO BE COPIED OR TRANSMITTED